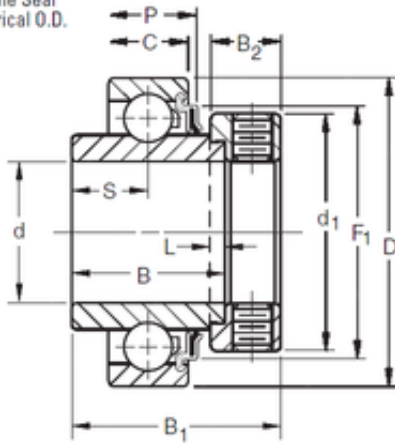




TIMKEN FORGE OF AMERICA BEARING CORP.

KR One Seal
Cylindrical O.D.



44,45 mm x 85 mm x 42,86 mm TIMKEN 1112KR Insert Bearings Cylindrical OD

Bearing No. 1112KR

Size	44.45x85x42.86 mm
Bore Diameter	44,45 mm
Outer Diameter	85 mm
Width	42,86 mm
d	44,45 mm
D	85 mm
B	42,86 mm
C	19 mm
P	21,59 mm
O	24,18 mm
d1	63,5 mm
B1	56,4 mm
B2	18,3 mm
L	4,8 mm
S	21,4 mm
F1	73,86 mm
Weight	0,825 Kg
Basic dynamic load rating (C)	36 kN

1112KR Bearing 2D drawings and 3D CAD models